



## Motor Operator

### Motor Operator Tele MP

- Common device for all modular protection devices.
- Can be coupled on both sides of MCB's and modular switches, on the right hand side of RCCB's and RCBO's.
- Stack-on left and right sides up to 4 modules. One of them can be coupled between the main device and the motor operator.
- Can be locked in off position with a lock.
- Manual operating is possible.

The Tele MP allows to remotely open or close any MCB, RCCB, RCBO or modular switch by means of a push-button or any other automatic management processor (PLC..).

#### Performance

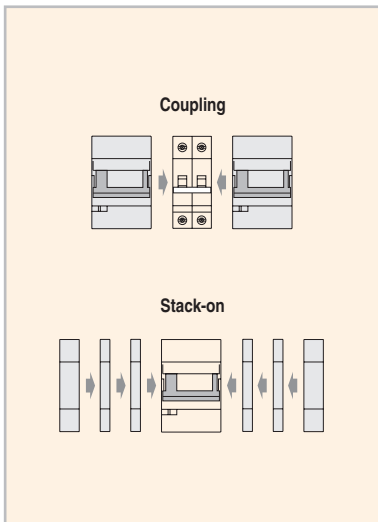
<b>Rated voltage AC Un</b>	(V) 240
<b>Minimum voltage</b>	(V) 200
<b>Impulse to switch on</b>	(ms) 50
<b>Impulse to switch off</b>	(ms) 50
<b>Closing time</b>	(s) 0.5
<b>Opening time</b>	(s) 0.2
<b>Electrical endurance</b>	10000
<b>Terminal capacity flexible/rigid cable (mm<sup>2</sup>)</b>	2.5
<b>Weight</b>	(g) 380

### Applications



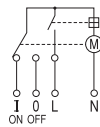
### Standard / Marking

IEC 947-2 **CE**



#### Tele MP - Motor operator

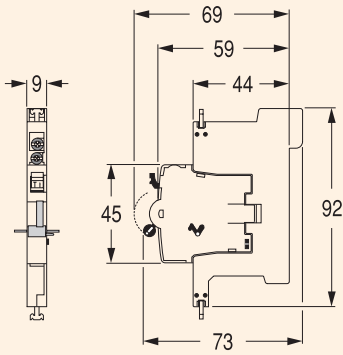
	Voltage	Cat. nr.	Ref. nr.	Pack.
<b>3 mod.</b>	AC 230V	<b>TELE MP</b>	672580	1



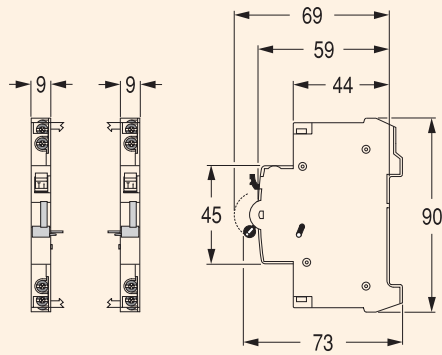
Dimensions ● pg C.9

# Dimensional drawings

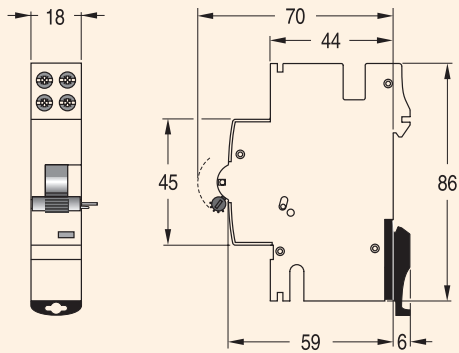
## Auxiliary - Series CA



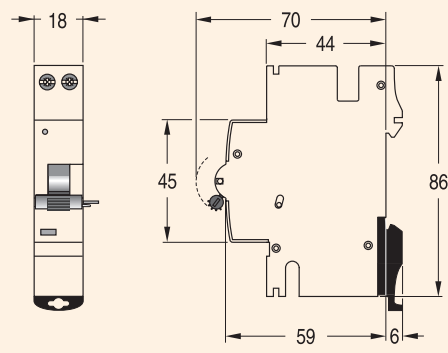
## Auxiliary - Series CB



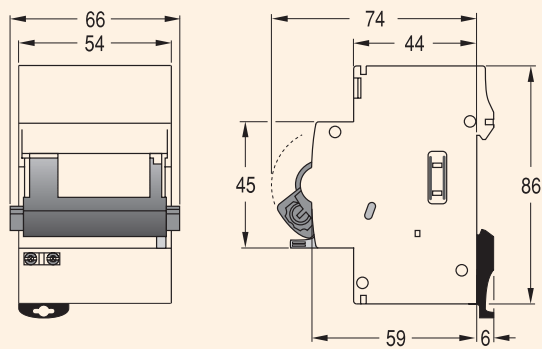
## Shunt Trip Tele L



## Undervoltage Release Tele U



## Motor Driver Tele MP



## PBS - Panel board switch

